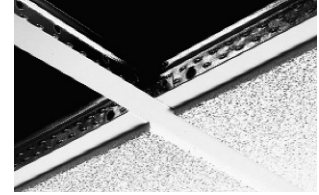
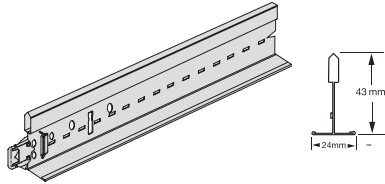


PRELUDE 24 XL²



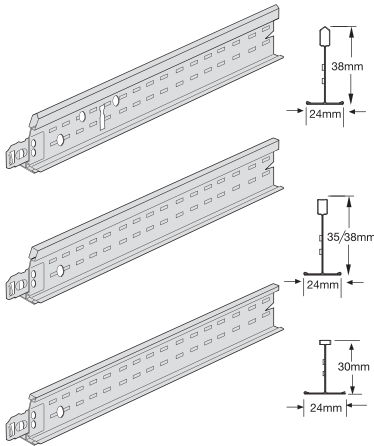
Exposed 24 mm grid system (nominal).

Universal Main Runners Prelude 24 Peakform and Superlock Clip (bulb-to-bulb connection)



Item Nr.	Dimensions length (mm) height (mm)	Content / Carton pcs	Weight / Carton kg	Cartons / Pallet
BP 31 40 32 A ⁽¹⁾	3600 43	20	72,00	21,00
BP 31 41 33 B ⁽¹⁾	3750 43	20	75,00	21,90
BP 31 43 33 B	3375 43	20	67,50	20,00
BP 31 42 32	3000 43	20	60,00	17,50

Cross Tees Prelude 24 XL² (stab system, override)



Cross Tees slotted

▶▶▶ BP 31 33 31	1350	38	60	81,00	17,20	20
▶▶▶ BP 31 31 51 B ⁽¹⁾	1250	38	60	75,00	18,90	72
▶▶▶ BP 31 30 51 B ⁽¹⁾	1200	38	60	72,00	18,20	72
▶▶▶ BP 31 32 31 ⁽²⁾	1000	38	60	60,00	15,10	42
BP 31 34 31 A	1800	38	30	54,00	17,00	20

Cross Tees unslotted

BP 31 16 32	750	38	60	45,00	14,70	72
BP 31 25 51 G	312,50	35	120	37,50	9,60	96
BP 31 24 51 G	300	35	120	36,00	9,20	96
BP 31 23 21	675	30	60	40,50	7,70	144
BP 31 21 23 A ⁽¹⁾	625	30	60	37,50	8,60	144
BP 31 20 21 A ⁽¹⁾	600	30	60	36,00	8,20	144
BP 31 22 21 ⁽²⁾	500	30	60	30,00	6,80	84

Section Drawings

Universal Main Runners Prelude 24

Length	78,125	156,25	21 x 156,25	156,25	78,125
▶▶▶ 3750	78,125	156,25	21 x 156,25	156,25	78,125
▶▶▶ 3600	50	100	33 x 100	100	50
▶▶▶ 3375	337,5	675	2 x 675	675	337,5
▶▶▶ 3000	50	100	27 x 100	100	50

Cross Tee Prelude 24 XL²

Length	300	4 x 300	300
▶▶▶ 1800	300	4 x 300	300
▶▶▶ 1350	337,5	2 x 337,5	337,5
▶▶▶ 1250	312,5	2 x 312,5	312,5
▶▶▶ 1200	300	2 x 300	300
▶▶▶ 1000	250	2 x 250	250

Cross Tee Prelude 24 XL²

750 / 675 / 625 / 600 / 500 / 312,50 / 300
--

(1) Colours available : Carrara (CA), Platinum (PN), Black (BK), RAL 9006 (SG), Brass (BS), Chrome (CE), White RAL 9010 (WR).
 (2) Also available in RAL 9010 (WR).

Cross tee alignment is achieved by locating the tees to the right-hand side of the adjoining section.
 All measurements in millimetres. All sizes are nominal.

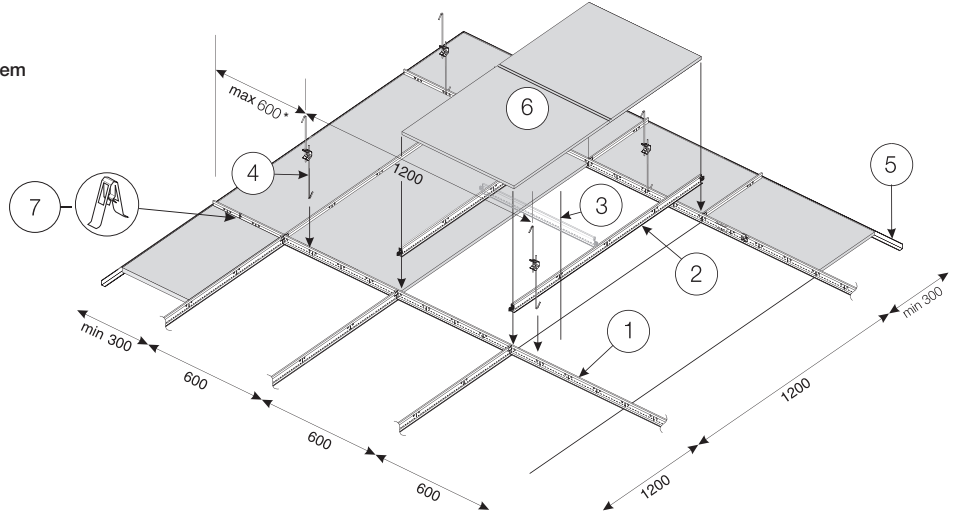


PRELUDE 24 XL²

System Drawing (module 1200 x 600 mm)

Standard lay-in installation of 24 mm exposed suspension system using Board or Tegular tiles.

*reduce to 450 if heavy tile / overlays are used or heavy service fittings are located near the perimeter.



Quantities required per 1m ² (no waste included)							
6 Tile	Main Runner centres	Hangers centres	1 Main Runner	2 Cross Tee 1200 mm	3 Cross Tee 600 mm	4 Hanger	7 Universal retaining clip
1200 x 600 mm 1,39 pcs	1200 mm	1200 mm	0,84 lm	1,67 lm	-	0,70 pcs	5,56 pcs
	600 mm	1200 mm	1,67 lm	-	0,84 lm	1,40 pcs	5,56 pcs
600 x 600 mm 2,78 pcs	1200 mm	1200 mm	0,84 lm	1,67 lm	0,84 lm	0,70 pcs	5,56 pcs
	600 mm	1200 mm	1,67 lm	-	1,67 lm	1,40 pcs	5,56 pcs

5 Perimeter trim approx. 0,70 lm/m²

The chart is for general guidance only.

Grid Load Capacities

Prelude 24 XL² System

The following table gives the maximum permitted hanger distance (mm) along the Peakform Main Runner (BP 31 40 32 A) for the tile weights and Main Runner spacings noted.

Tile weight	Distance between Main Runners		
	1800 mm XL ² Cross Tee BP 31 34 31 A	1200 mm XL ² Cross Tee BP 31 30 51 B	600 mm XL ² Cross Tee BP 31 20 21 A
2,5 kg/m ²	1650	1900	2100
3,0 kg/m ²	1600	1800	2100
3,5 kg/m ²	1500	1750	2100
4,0 kg/m ²	1450	1700	2100
5,0 kg/m ²	1350	1600	2000
5,5 kg/m ²	1350	1550	1950
6,0 kg/m ²	1250	1500	1900
7,0 kg/m ²	-	1450	1800
8,5 kg/m ²	-	1300	1700
10,5 kg/m ²	-	1200	1600
13,0 kg/m ²	-	1050	1500

- The above table values may be influenced by either bending moment or deflection. For other deflection limits (L/300, L/360, L/400), please contact your **Armstrong Technical Sales**.
- Load values determined from laboratory tests in accordance with EN 13964 : 2004.
- Applicable for 600 x 600 mm tiles and assuming that the maximum deflection of the grid is L/500 but not greater than 4 mm (L = span).
- No other applied loads such as luminaires, air diffusers, smoke detectors, sprinklers, hanging signs etc. are permitted.**
- No overlays such as mineral wool or fibre glass quilts, as may be required for enhanced acoustic, fire or thermal performance, are permitted unless their full weight is established and included, together with the weight of the tile, within the appropriate weight groups.

Availability of products may vary according to location. Please contact our **Armstrong Technical Sales** for further details.

CENTRAL EUROPE NORTH (DK/EE/FIN/IS/LT/LV/N/PL/S)

Latvia : www.armstrong.lv
Lithuania : www.armstrong.lt
Norway : www.armstrong.no
Poland : www.armstrong.pl
Sweden : www.armstrong.se

CENTRAL EUROPE SOUTH (AL/BA/BG/CZ/HR/HU/KO/MD/ME/MK/RO/RS/SK/SI)

Czech Republic : www.armstrong.cz
Hungary : www.armstrong.co.hu
Romania : www.armstrong.ro
Serbia : www.armstrong.rs
Slovakia : www.armstrong.sk
Slovenia : www.armstrong.si
www.armstrong.eu

